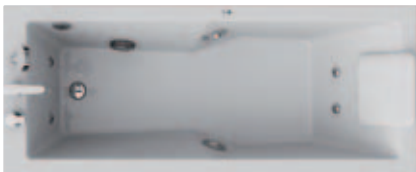


jets

● Standard

● Optional

○ Standard depending on the chosen fittings



INTERNAL DIMENSIONS	
Length at the top edge	153 cm
Length to the fittings	127 cm
Central width at top edge	56 cm
Water volume (at the overflow level)	212 litres
Average water quantity for hydromassage	154 litres

EXTERNAL DIMENSIONS	
Length	170 cm
Width	70 cm
Height	57 cm
220/240 V - 50 Hz	
170x70	180x80

**PANELS**

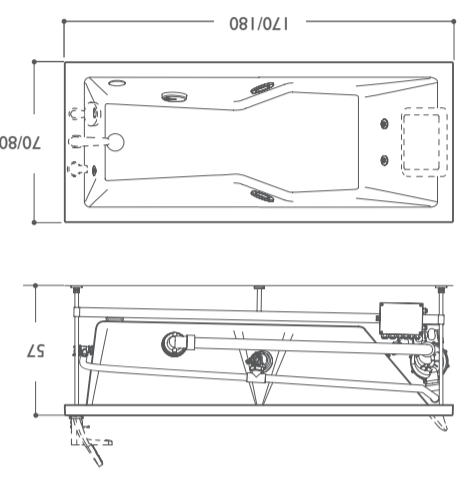
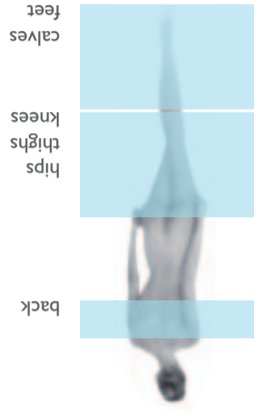
Single L-shaped panel, front panel, side panel  
Built in, corner, back-to-wall, inset

FEATURES	BASE	SPOTLIGHT	DISI+SPOTLIGHT
Touch controls	●	●	●
Tapware	○	○	○
Courtesy light	●	●	●
Dry run prevention system	●	●	●
White headrest (EVA)	○	○	○
Sanitizing system	○	○	○

**FUNCTIONS**

- Classic Jacuzzi® hydro-massage
- Back hydro-massage with rotating jets
- Planar hydro-massage with microjets
- Cromodream®

JACUZZI EUROPE s.p.a.  
Socio Unico  
Direzione e Coordinamento  
Jacuzzi Brands, Corp. (USA)  
S.S. Pontebbana Km 97,200  
33098 Valvasone (PN) Italia  
Tel. +39-0434-85278  
Fax +39-0434-85278  
www.jacuzzi.eu  
info@jacuzzi.it



emo design



energy 170x70/180x80

JACUZZI UK  
Woodlands  
Roydsdale Way  
Euroway Trading Estate  
Bradford  
West Yorkshire  
BD4 6SE  
Phone +44 (0)1274 471888  
Fax: +44 (0)1274 471856  
www.jacuzzi.co.uk  
retailersales@jacuzziuk.com

JACUZZI FRANCE SAS  
8, route de Paris  
03305 CUSSET  
FRANCE  
Tél: +33 (0)4 70 30 90 50  
Fax +33(0)4 70 97 41 90  
www.jacuzzi.france.com  
info@jacuzzi.france.com



Energy, genuine Jacuzzi® hydromassage for all



Thanks to Energy, everyone can enjoy the benefits and the pleasure of the real Jacuzzi® hydromassage.



For those looking for a high-quality whirlpool bath at an attractive price with a contemporary design that fits into any bathroom setting and is comfortable, resistant and easy to look after, we can now offer Energy. All the prestige and exclusiveness of Jacuzzi® in a perfect synthesis of formal uniqueness and functionality. Thanks to the position of the jets and to the inner comfort resulting from clever ergonomics, Energy offers everyone the perfect experience of the authentic Jacuzzi® hydromassage.



Touch controls and EVA headrest



Jacuzzi® hydromassage jet



Cromodream®

#### DESIGN

- Minimalist shapes and a generous bathing capacity thanks to perfect ergonomics.
- Versatile and easy to install: built in, corner, back-to-wall and inset.
- User-friendly Touch controls installed on the bath deck; just brush against the symbols to start the function.
- Compact and minimalist tapware with a handheld shower and a mixer tap

#### HEALTH

- The real Jacuzzi® hydromassage focuses on the back, legs and feet; deep, healthy and generated by jets that can be adjusted by 30° to achieve the best benefits.
- The sanitising system ensures thorough hygiene.

#### PLEASURE

- Cromodream® allows you to benefit from an exciting chromotherapy treatment while you enjoy your hydromassage.
- Courtesy light.
- The soft, ergonomic headrest in EVA ensures comfort.
- Thanks to its capacity and depth, the bath offers a cocooning, relaxing sensation.

#### PERFORMANCE

- All the value of technology by Jacuzzi® dedicated to the home hydromassage and expressed through the 2 jets directed to the legs, the 2 microjets directed to the feet and the 2 rotating jets on the back.
- Easy to clean and look after.
- The bath is provided with the Dry-run protection system that prevents the whirlpool functions from starting in the absence of water.

